

# BGR700 2D BCBP Boarding Gate Reader

## 2D BCBP boarding gate solution with optional contactless / NFC capability capable of reading from any media

### Description

The BGR700 is a robust boarding gate reader for 2D barcoded boarding passes (BCBP's), designed specifically with a large throat to allow truly intuitive use with all media types including the latest smart watches.

The BGR700 reads omnidirectionally and face up, enabling operators to rapidly read barcodes. Speed of transaction is enhanced by near-zero latency, so that barcodes are read instantly on presentation.

Designed for future-proof operation, the BGR700 can be upgraded for contactless operation in the field. This allows it to cater for the latest developments in NFC-enabled phones, tablets and smart cards.

Additional features to ensure fast and intuitive passenger processing include: colour LCD display for passenger information, bright green and red LED visual indicators, a user-programmable audio beep to confirm successful data capture, a receipt printing port and an integrated on/off switch.

A wide range of configurations are available for connection to Common Use Terminal Equipment (CUTE<sup>®</sup>) or dedicated systems. Additionally, to ensure that the units are future-proof, new firmware can be remotely downloaded to them.

### Features

- Fast, omnidirectional 1D/2D barcode imager
- Easy-to-read colour LCD display (480x272px)
- Large document throat allows smartphones, tablets, and smart watches to be easily read
- Wide face up 'read zone' allows for intuitive use and fast barcode reads
- Reads IATA-recommended PDF417, QR, Aztec and other 2D and linear symbologies
- Wide range of emulations available
- RS-232, USB or Ethernet connection to host
- Upgradeable software



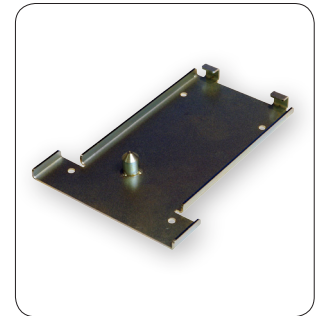
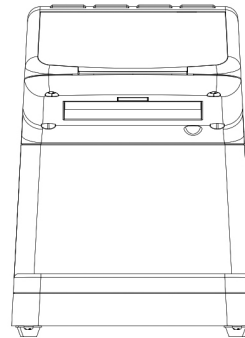
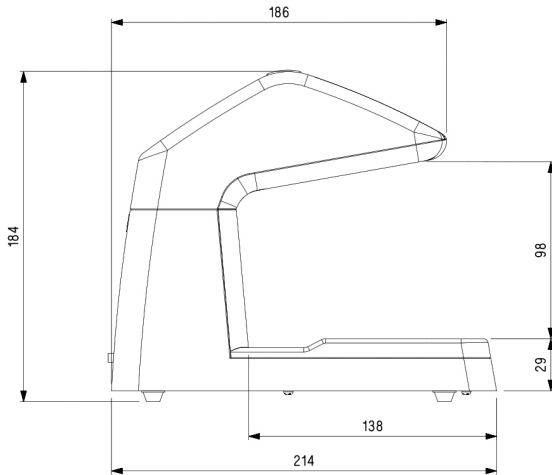
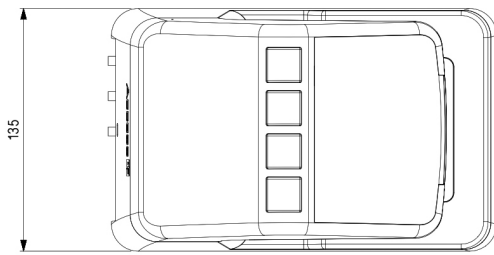
- Configurable green and red indicator beacons and audio beeper
- RS-232 serial port for receipt printer functionality, for example seat, flight and passenger data from M1 format bar code documents
- Auxillary USB ports

### Options

- Field Upgradeable Contactless/NFC capability
- Quick release bracket.



## Dimensions



### Quick Release Bracket

The BGR700 quick release bracket provides a simple means to secure the device to a countertop or podium. The addition of the bracket prevents the hardware being accidentally knocked to the ground and damaged, potentially at a critical time in boarding. In addition, it is a deterrent against agents relocating hardware or theft.

## Specifications

### Barcode reader

Compliance: AEA2012

1D symbologies: Code 128, Code 2 of 5, Interleaved 2 of 5, IATA 2 of 5, Code 39, EAN

2D symbologies: IATA resolution 792, QR, Aztec, PDF417 and Datamatrix codes.

Media types: Will read: smartphone, tablet and smartwatch displays and paper documents and tickets.

Performance: Less than 1 second read capability

### Contactless reader (Optional)

Supported media: ISO14443 type A and B cards (Java cards); max baud 424K (extendable to 848K)

Mifare UL, Classic 1K, Classic 4K, UL-C, Mifare Plus; max baud 106K

Operating frequency: 13.56 MHz

Operating distance: 20 mm

### Passenger/agent displays

Display: Colour LCD (480x272px)

Visible/audible: Green (good read) and red (bad read) indicator beacons and audio beeper. Configurable capability.

### Interface

Host interface: RS-232C Baud rates 9600, 19200, 38400, 115200; Ethernet & USB

Serial port: for receipt printers incl. the RP9000 or self boarding gate applications

3 x USB Port

### Physical characteristics

Construction: Robust ABS enclosure with no moving parts

Dimensions: 135W x 184H x 214D mm

Document/Scan orientation: Face-Up

Weight: 1185g (with NFC: 1235g)

### Power supply

Input voltage: 12 VDC; power adapter supplied

### Protocols supported (pending)

AirIT Ease®

Amadeus ACUS® (Pending)

ARINC iMuse & VMuse® (Pending)

Edge CUPPS-T (Pending)

RESA CREWS® (Pending)

SABRE EGR®

SITA Airport Connect®

Ultra CUSE® (Pending)

### Environmental

Temperature:

Operating 0°C to +50°C;

Storage 0°C to +60°C

Humidity: 0% to 95%, non-condensing

Approvals: FCC 47CFR Part 15

Subpart B Class A, EN 55022 Class

B, EN 55024, FCC 47CFR Part 15

Subpart C, ETSI EN 302 291, EN

60950-1

All trademarks acknowledged. Specifications subject to change without prior notice. This literature is for outline information only.

Ver: 1.4 July 2017



Worldwide: +44 (0) 118 966 3333  
Americas: +1 770-645-2771



Worldwide: +44 (0) 118 966 3333  
Americas: +1 703-403-6848



Worldwide: +44 (0) 118 966 3333  
Americas: +44 118-966-3333



email: sales@access-is.com  
18 Suttons Business Park • Reading • RG6 1AZ • UK